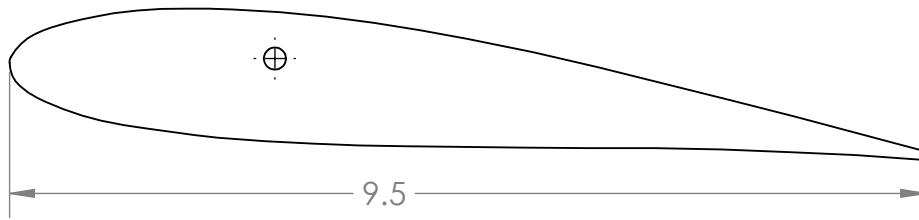


**SolidWorks Student Edition.
For Academic Use Only.**

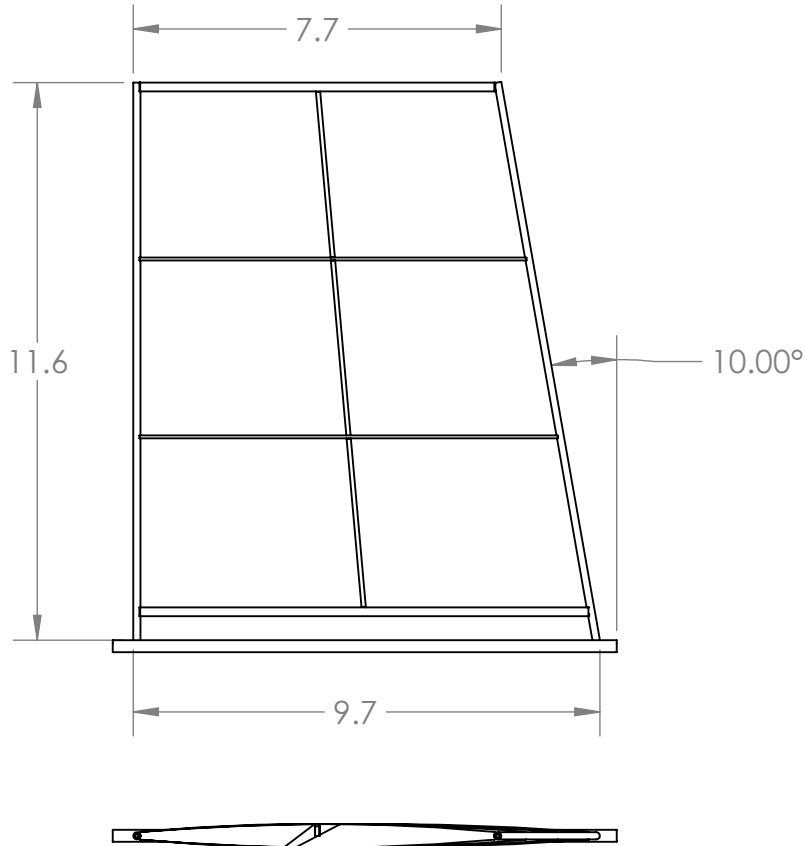
	NAME	DATE	ANIMATE GLIDER	
DRAWN			COMMENTS: GLIDER DESIGNED FOR MEAM 101 ANIMATE PROJECT. GROUP: FOSTER COLLINS, TIGHE COSTA, ANDREW MCGRATH.	
CHECKED				
ENG APPR.				
MFG APPR.				
Q.A.				
			SIZE A DWG. NO. BASIC DIMENSIONS	REV.
			SCALE: 1:12	WEIGHT: 345 g
			SHEET 1 OF 2	



PARAMETERS IN NASA FOILSIM PROFILE GENERATOR:

CORD LENGTH: 0.8FT
 WINGSPAN: 5FT
 CAMBER %: 2.08
 THICKNESS (% OF CORD): 10.69
 ANGLE OF ATTACK: 6 DEGREES
 EXPECTED AIRSPEED: 10MPH

SEE: <http://www.grc.nasa.gov/WWW/k-12/FoilSim/index.html>



**SolidWorks Student Edition.
 For Academic Use Only.**

	NAME	DATE	ANIMATE GLIDER	
DRAWN			COMMENTS: GLIDER DESIGNED FOR MEAM 101 ANIMATE PROJECT. GROUP: FOSTER COLLINS, TIGHE COSTA, ANDREW MCGRATH.	
CHECKED				
ENG APPR.				
MFG APPR.				
Q.A.				
COMMENTS:			SIZE: A DWG. NO. BASIC DIMENSIONS	REV.
			SCALE: 1:24	WEIGHT: 345 g
			SHEET 2 OF 2	